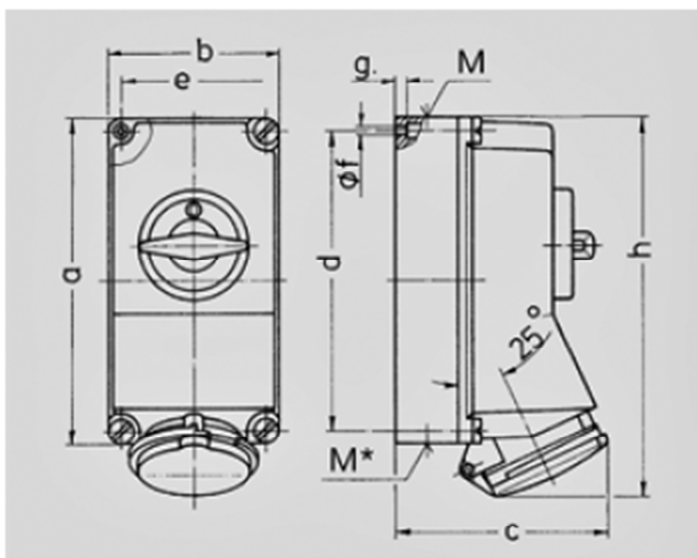


Wall mounted receptacle - Part no. 5103AA


- screw terminals
- switched
- mechanical DUO-interlock
- receptacles can be padlocked

Protection type	44
Ampere	16 A
Poles	5p
Voltage	400
Hertz	50-60Hz
Earth position	6h
Contact	standard
Connection technology	Screw terminals

Std. Pack. 1 Qty.



Drawing	Amp.	16
	Poles	5
Dim. in mm	a	225
	b	118
	c	141
	d	208
	e	101
	f	6,3
	g	8
	h	254
	M	2x25
	M*	
Max. cable diam. (mm)		25
Terminal for cond. cross section (mm ²) min.-max.		1,5 —4